

The Gripplle Plus Anchor Kit (GPAK) is supplied as a ready-to-use kit comprising a pre-cut, fused length of cable and a Gripplle Plus tensioner.

FEATURES / BENEFITS

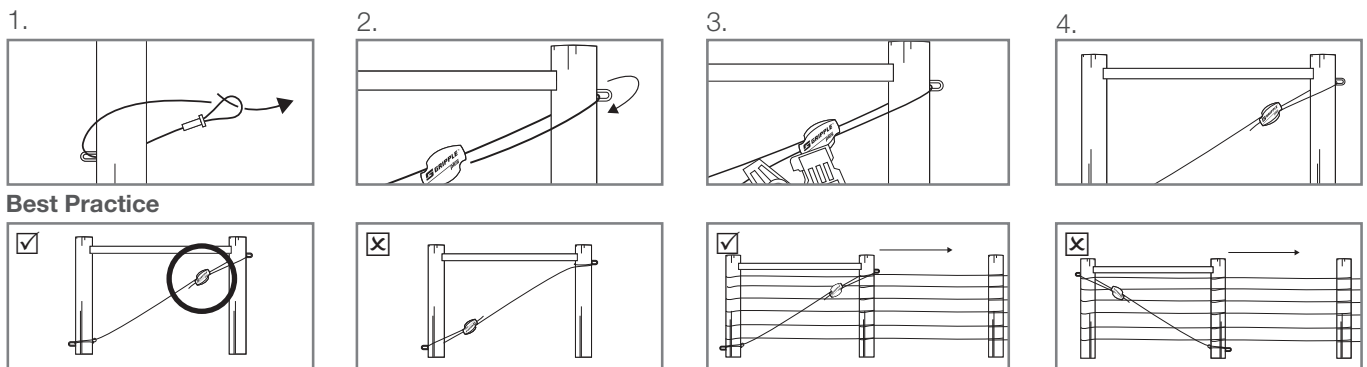
- Suitable for wooden and metal post bracing
- High load capacity
- Easily re-tensioned year-after-year
- Manufactured with zinc aluminum cable for corrosion resistance
- Consistent, professional finish



SPECIFICATION

Product	Wire Diameter	Wire Length	Recommended Working Load
GPAK 3	1/8 in	15 ft	880 lbs
GPAK 4	3/16 in	16.5 ft	1,320 lbs

INSTALLATION



TIPS

- Always 'choke' the cable tightly against the bottom of the post to avoid animals getting caught up in the fence
- Coupling a GPAK with an Anchor will secure your fence, where space is limited

